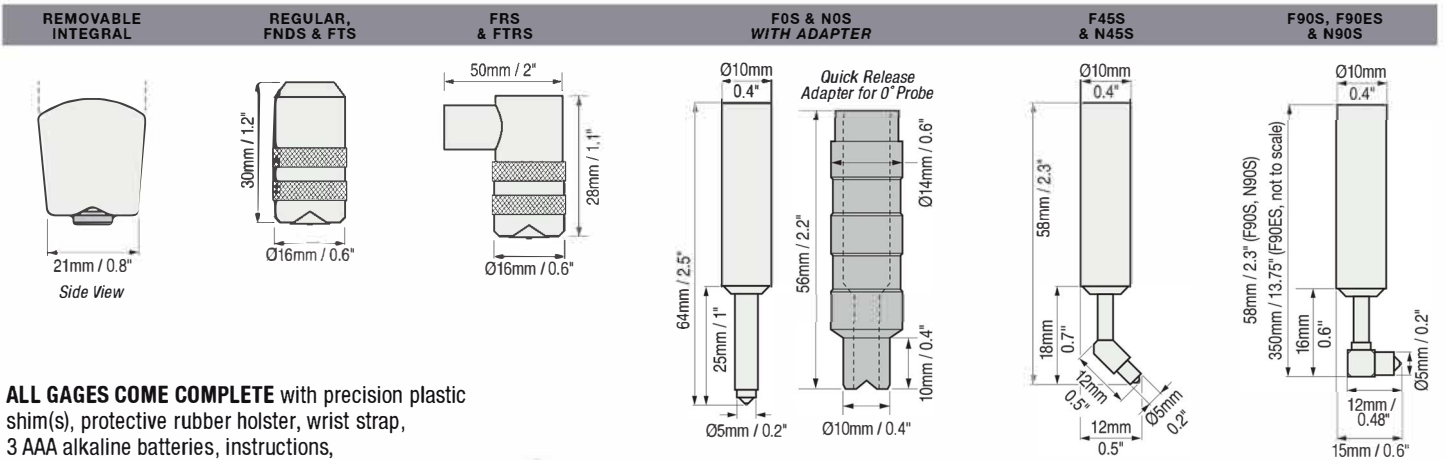


PosiTector 6000 Series Order Guide

		Our most popular Integral and Cabled probe models	90° Regular probe for tight spots	Ideal for duplex coating systems	Ideal for hot and rugged applications	Ideal for anodized aluminum	Microprobes – Our smallest probes for small parts or hard-to-reach areas				Integral and Cabled probes for thick protective coatings; epoxy, rubber, intumescent fireproofing and more											
FERROUS	Standard	F1	FS1	FRS1		FXS1 ¹	FOS1	F45S1	F90S1	F90ES1	FT1	FTS1	FTRS1	FHXS1 ^{1,2}	FKS1	FJS1	FLS1					
	Advanced	F3	FS3	FRS3		FXS3 ¹	FOS3	F45S3	F90S3	F90ES3	FT3	FTS3	FTRS3	FHXS3 ^{1,2}	FKS3	FJS3	FLS3					
NON-FERROUS	Standard	N1	NS1	NRS1			NAS1	NOS1	N45S1	N90S1				NKS1								
	Advanced	N3	NS3	NRS3			NAS3	NOS3	N45S3	N90S3				NKS3								
COMBINATION	Standard	FN1	FNS1	FNRS1	FNDS1 ³							FNTS1					FNGS1 ⁴					
	Advanced	FN3	FNS3	FNRS3	FNDS3 ³							FNTS3						FNGS3 ⁴				
Range		0–60 mils 0–1500 µm			0–80 mils 0–2000 µm		Ferrous: 0–45 mils and 0–1150 µm Non-Ferrous: 0–25 mils and 0–625 µm				0–250 mils 0–6 mm		0–400 mils 0–10,000 µm		0–500 mils 0–13 mm		0–1.0 in. 0–25 mm		0–1.5 in. 0–38 mm		0–2.5 in. 0–63.5 mm	
Accuracy ⁵		±(0.05 mil + 1%) 0-2 mils ±(0.1 mil + 1%) >2 mils ±(1 µm + 1%) 0-50 µm ±(2 µm + 1%) >50 µm					±(0.02 mil + 1%) 0-4 mils ±(0.1 mil + 3%) >4 mils ±(0.5 µm + 1%) 0-100 µm ±(2 µm + 3%) >100 µm				±(0.5 mil + 1%) 0-100 mils ±(0.5 mil + 3%) >100 mils ±(0.01 mm + 1%) 0-2.5 mm ±(0.01 mm + 3%) >2.5 mm		±(0.1 mil + 3%) ±(1 mil + 3%)		±(0.01 in. + 3%) ±(0.2 mm + 3%)							
Matching DeFelsko Calibration Standards		STDS1 STDA1			STDS4		STDS2 STDA2				STDP1		STDP7		STDP5		STDP2		STDP8			

Ferrous probes measure non-magnetic coatings on ferrous metals. **Non-Ferrous probes** measure non-conductive coatings on non-ferrous metals. 1) **FXS/FHXS Xtreme probe series** with Alumina wear face and braided cable — ideal for rough or hot surfaces up to 250° C (500° F). 2) **FHXS probe** measures non-conductive coatings on steel only. 3) See website for full **FNDS probe** accuracy information. 4) **FNGS probe** measures non-conductive coatings on all metals. 5) Accuracies are stated as a fixed value plus a percentage of the gage's actual reading.

Probe Details



ALL GAGES COME COMPLETE with precision plastic shim(s), protective rubber holster, wrist strap, 3 AAA alkaline batteries, instructions, protective lens shield, convenient carrying case, Long Form Certificate of Calibration traceable to NIST or PTB, USB cable, PosiSoft Software, two (2) year warranty.

***SIZE:** 127 x 66 x 25.4 mm
(5" x 2.6" x 1")

***WEIGHT:** 137 g (4.9 oz.)
without batteries

* Size and weight are for the PosiTector gage body only and do not include the probe.

Conforms to ISO 19840/2178/2360/2808,
ASTM B244/B499/D1186/
D1400/D7091/E376/G12, BS3900-C5,
SSPC-PA2 and others



Options

Coating Thickness Standards
to fulfill both ISO and in-house
quality control requirements

Probe Foot Rings
Durable Delrin ring allows the
probe to slide easily while scanning

Telescopic Probe Extender for use
with the PosiTector 6000 FS, NS, FNS,
FXS, FNDS, NAS and FTS probes.

- Provides up to 124 cm (49") of reach and collapses to 47 cm (18.5") for easy storage

